

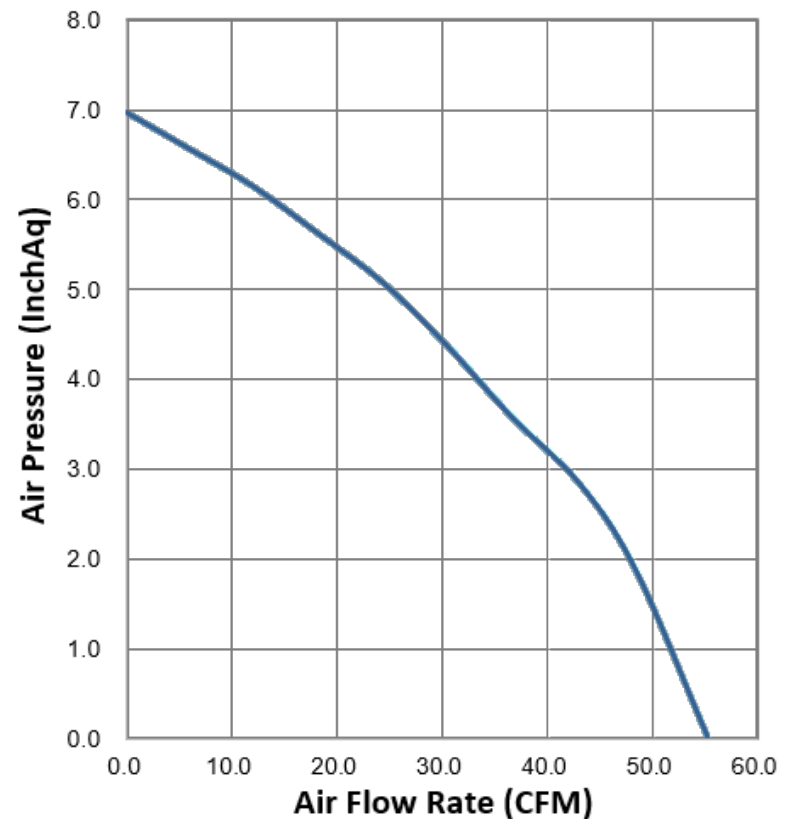


Automotive Blower

97 X 95 X 33 mm

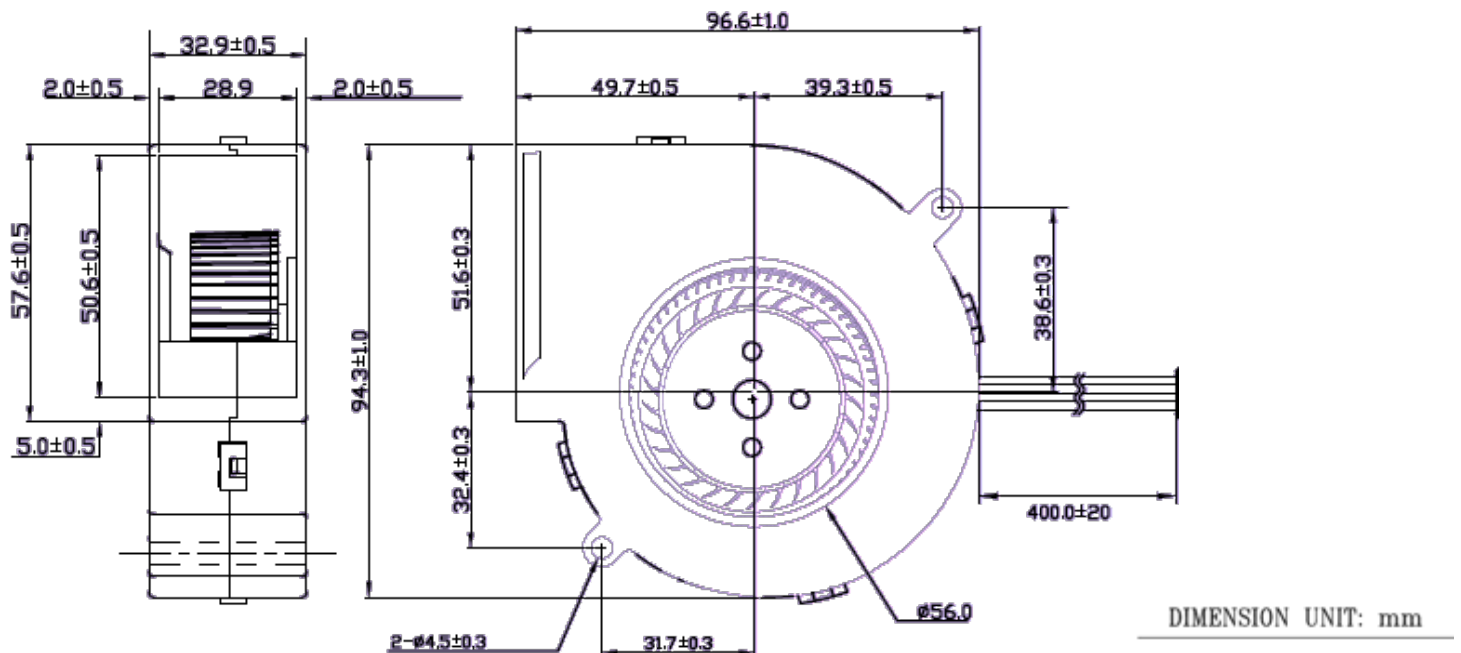


■ P & Q CURVE (AT RATED VOLTAGE & ROOM TEMPERATURE)



- .Bearing Type: Ball bearing
- .Material: Impeller & Frame: Plastic /Pillow : metal
- .Weight: 180 g
- .Wide operating voltage range (9~16V)
- .Wide Operating Temperature range (-40~85°C)
- .AEC-Q compliance
- .Electronic Anti-Locking & Reverse-Polarity Protection
- .Over Voltage Protection
- .EMC Protection/OEM EMC compliance

■ DIMENSIONS DRAWING (mm)



Model	Dimensions	Rated Voltage	Rated Current	Rated Input Power	Speed	Maximum Air Flow	Maximum Air Pressure	Noise
PART NO.	Mm	VDC	Amp	Watt	R.P.M.	CFM	IN H2O	dB-A
BFB1012UH	97X95X33	12	4.9	58.8	7300	55.3	6.97	71

- Function type (R00,-F00,PWM) is optional.
- The max. air flow and the speed are measured in free air; max. air pressure is measured at zero air flow.
- Noise is measured in anechoic chamber in free air, on 1M from intake side.
- All readings are typical values at rated voltage.
- Specifications are subject to change without notice.