

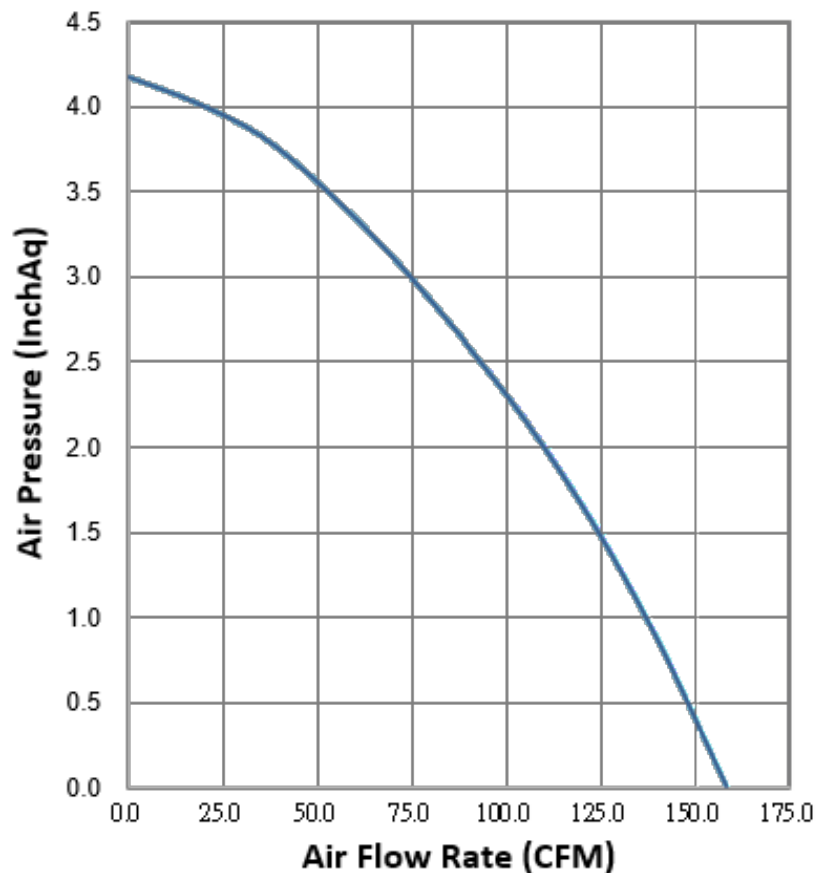


Automotive Blower

200 x 183 x 69 mm

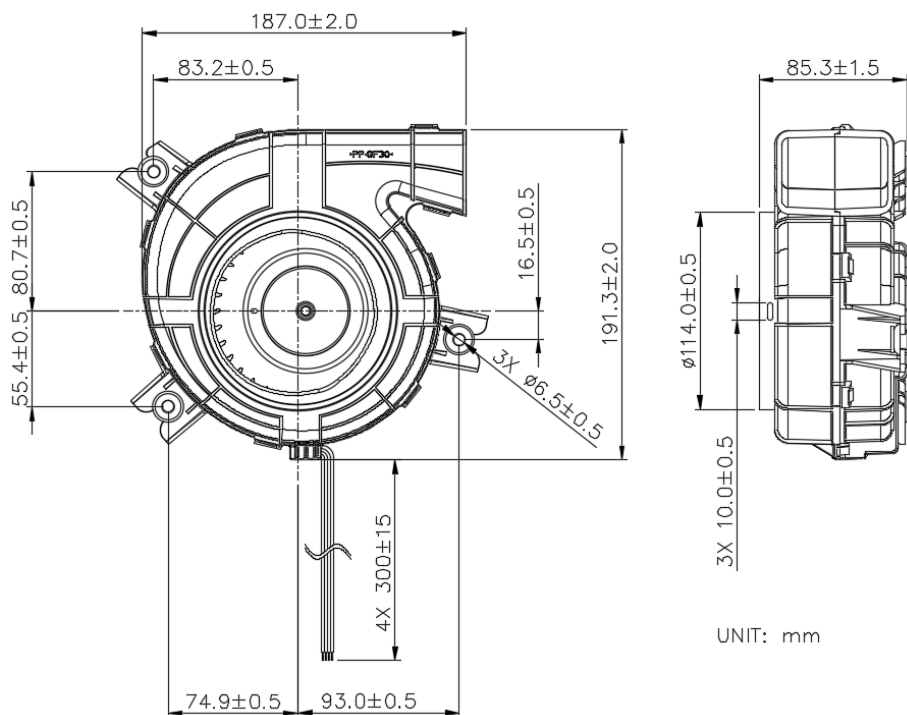


■ P & Q CURVE (AT RATED VOLTAGE & ROOM TEMPERATURE)



- .Bearing Type: Ball bearing
- .Material: Impeller & Frame: Plastic /Pillow : metal
- .Weight: 780 g
- .Wide operating voltage range (9~16V)
- .Wide Operating Temperature range (-40~85°C)
- .AEC-Q compliance
- .Electronic Anti-Locking & Reverse-Polarity Protection
- .Over Voltage Protection
- .EMC Protection/OEM EMC compliance

■ DIMENSIONS DRAWING (mm)



DIMENSION UNIT: mm

Model	Dimensions	Rated Voltage	Rated Current	Rated Input Power	Speed	Maximum Air Flow	Maximum Air Pressure	Noise
PART NO.	Mm	VDC	Amp	Watt	R.P.M.	CFM	IN H2O	dB-A
BFB2012SU	200x183X69	12	9.4	113	3100	158	4.18	69

- Function type (R00,-F00,PWM) is optional.
- The max. air flow and the speed are measured in free air; max. air pressure is measured at zero air flow.
- Noise is measured in anechoic chamber in free air, on 1M from intake side.
- All readings are typical values at rated voltage.
- Specifications are subject to change without notice.